

Enjoy the freedom and flexibility of natural wrist movement



Features:

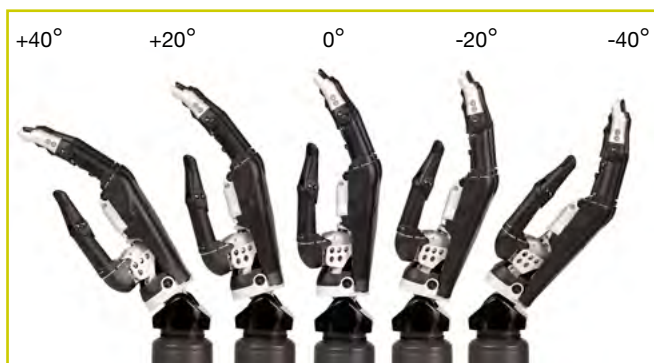
- Smooth & natural motion which provides control in completion of daily tasks
- Enables shock and torque absorption
- Lock and unlock function via simple magnetic lock
- Particularly beneficial for bilateral patients



Lock flexion wrist to position i-limb at:
+40°, +20°, 0°, -20°, -40°



Unlock flexion wrist for spring-loaded flexibility range from +40° to -40°



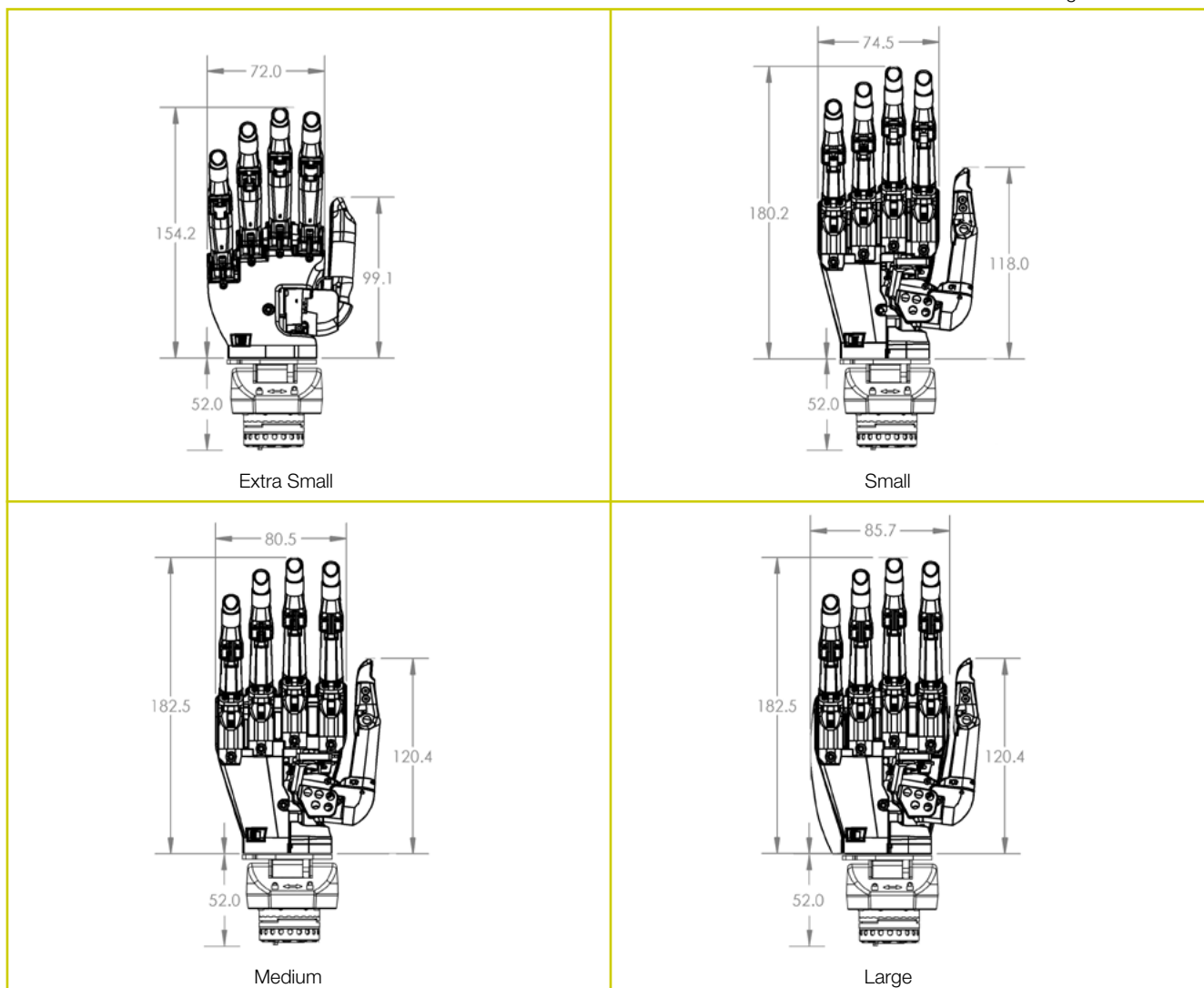
Locking flexion wrist in various positions allows for better positioning during functional tasks such as:

- Writing
- Brushing hair
- Typing
- Using utensils for cooking and eating
- Fastening clothes
- Manipulating small objects

Unlocking flexion wrist allows for better positioning during functional tasks such as:

- Sweeping
- Cleaning tabletops
- Pushing shopping cart
- Opening doors
- Stabilizing objects during cooking tasks

All lengths stated in mm



Technical Information

flexion wrist weight	161g	Locked positions	+40°, +20°, 0°, -20°, -40°	Range of movement (unlocked)	+40° to -40°
----------------------	------	------------------	----------------------------	------------------------------	--------------

Product Number	i-limb™ quantum	Product Number	i-limb™ revolution	Product Number	i-limb™ ultra
PL349000	i-limb™ quantum flexion wrist Extra Small RH	PL343000	i-limb™ revolution flexion wrist Extra Small RH	PL197003	i-limb™ ultra flexion wrist Extra Small RH
PL350000	i-limb™ quantum flexion wrist Extra Small LH	PL344000	i-limb™ revolution flexion wrist Extra Small LH	PL197004	i-limb™ ultra flexion wrist Extra Small LH
PL364000	i-limb™ quantum flexion wrist Small RH	PL276001	i-limb™ revolution flexion wrist Small RH	PL212001	i-limb™ ultra flexion wrist Small RH
PL366000	i-limb™ quantum flexion wrist Small LH	PL277001	i-limb™ revolution flexion wrist Small LH	PL213001	i-limb™ ultra flexion wrist Small LH
PL368000	i-limb™ quantum flexion wrist Medium RH	PL274001	i-limb™ revolution flexion wrist Medium RH	PL210001	i-limb™ ultra flexion wrist Medium RH
PL370000	i-limb™ quantum flexion wrist Medium LH	PL275001	i-limb™ revolution flexion wrist Medium LH	PL211001	i-limb™ ultra flexion wrist Medium LH
PL514000	i-limb™ quantum flexion wrist Large RH	PL522000	i-limb™ revolution flexion wrist Large RH	PL530000	i-limb™ ultra flexion wrist Large RH
PL515000	i-limb™ quantum flexion wrist Large LH	PL523000	i-limb™ revolution flexion wrist Large LH	PL531000	i-limb™ ultra flexion wrist Large LH

North American Customers:
+1 855 MY iLIMB (694 5462)

International Customers:
+44 1506 438 556

European Customers:
+49 6221 357 9060

info@touchbionics.com
www.touchbionics.com